

# SPEARHEAD

## AMENITY MOWER RANGE





## THE CUTTING PERFORMANCE YOU DESERVE

Spearhead has been at the forefront of vegetation control machinery for over three decades. We listen intently to customer feedback in a quest to perfect our machines. They're robust, long-lasting, and highly efficient.

Our Amenity range is growing in stature with a host of Flail and Rotary mower options presented to ensure optimum output in all applications. From the simple Barrier Mower, through to the Trident 600 Proline all bases are covered to make managing your vegetation faster, easier, safer and more comfortable than ever before.

The Spearhead Amenity range sets the standard. Anything less won't deliver the performance you deserve.

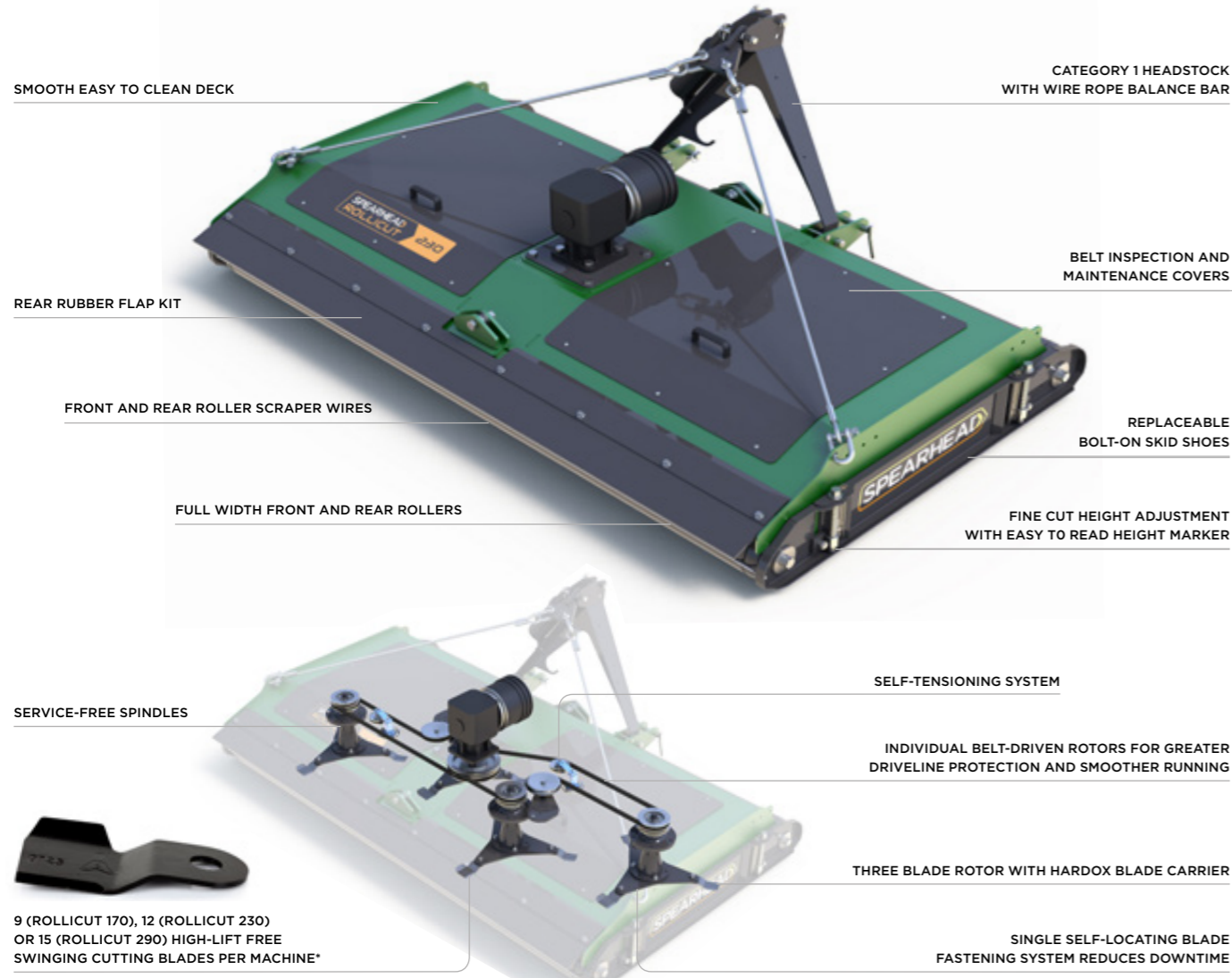
## CONTENTS

ROLLICUT INLINE SERIES	4
ROLLICUT ECOLINE SERIES	6
ROLLICUT PROLINE SERIES	8
TRIDENT ECOLINE SERIES	10
TRIDENT PROLINE SERIES	12
BARRIER MOWER SERIES	14
OUTFRONT FLAIL SERIES	16
SPECIFICATIONS	18





# ROLLICUT INLINE SERIES



\* Rollicut 170 machines feature three cutting rotors. Rollicut 230 machines feature four cutting rotors. Rollicut 290 machines feature five cutting rotors.

The Spearhead Rollicut inline mower is designed for light duty amenity mowing and gives a high-quality finish in material up to 20mm. It excels in parkland, golf course, orchard and topping applications and is the perfect choice for mounting on compact tractors.

style blades per rotor designed to offer a comparable finish to conventional cylinder mowers; but without the expensive maintenance costs.

This cost-effective inline range is available in either 1.7, 2.3 or 2.9 metre cutting widths, featuring three, high suction

Self-tensioning belt drive gives reliable power transmission, and with 168mm full width fine adjustment front and rear rollers, heavily baffled deck design and rear rubber flap, a fine mulch cut and well distributed finish, is guaranteed.

	TRACTOR HP	MINIMUM WEIGHT GUIDE	MACHINE WEIGHT	PTO SPEED	CUTTING WIDTH	HITCH	NUMBER OF BLADES	CUTTING HEIGHT
<b>SPEARHEAD ROLLICUT 170</b>	35hp (27kW)	1500kg (3307lbs)	590kg (1301lbs)	540rpm	1.74m (5' 8")	CAT 1	9	0mm - 110mm (0" - 4 11/16")
<b>SPEARHEAD ROLLICUT 230</b>	45hp (34kW)	2000kg (4410lbs)	716kg (1579lbs)	540rpm	2.30m (7' 6")	CAT 1	12	0mm - 110mm (0" - 4 11/16")
<b>SPEARHEAD ROLLICUT 290</b>	55hp (34kW)	2500kg (5512lbs)	860kg (1896lbs)	540rpm	2.92m (9' 7")	CAT 1	15	0mm - 110mm (0" - 4 11/16")

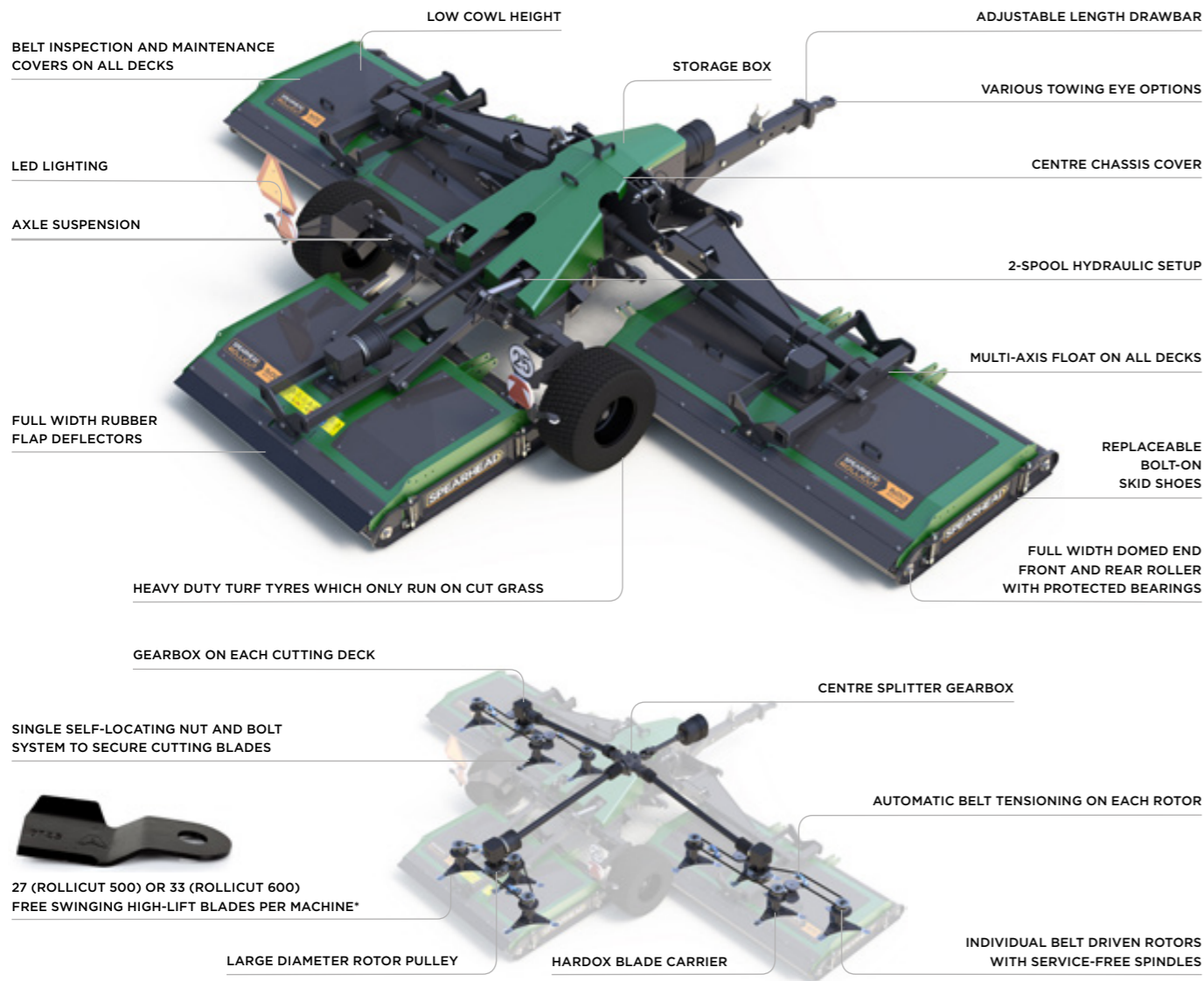


TRACTOR POWER  
from 35hp (27kW)

CUT WIDTH  
1.74 - 2.92m (5' 8" - 9' 7")



# ROLLICUT ECOLINE SERIES



27 (ROLLICUT 500) OR 33 (ROLLICUT 600) FREE SWINGING HIGH-LIFT BLADES PER MACHINE\*

\*Rollicut 500 machines feature three cutting rotors on all decks Rollicut 600 machines feature four cutting rotors on wing decks and three cutting rotors on the rear deck.

The Spearhead Rollicut triple gang mower is designed for light-duty amenity mowing and gives a high-quality finish in material up to 20mm. It excels in parkland, golf course, orchard and topping applications and is the perfect choice for mounting on compact tractors.

comparable finish to conventional cylinder mowers; but without the expensive maintenance costs. The machine features impressive deck articulation following ground contours effectively to give a level cut and reduced scalping.

This Spearhead Rollicut triple gang range is available in either 5.0 or 6.0 metre cutting widths, featuring three, high suction styles blades per rotor designed to offer a

Self-tensioning belt drive gives reliable power transmission and with 168mm full width fine adjustment front and rear rollers, heavily baffled deck design and rear rubber flap, will ensure a fine mulch cut and well distributed finish.

	TRACTOR HP	MACHINE WEIGHT	PTO SPEED	TRANSPORT WIDTH	CUTTING WIDTH	STANDARD HITCH	NUMBER OF BLADES	CUTTING HEIGHT
<b>SPEARHEAD ROLLICUT 500 ECOLINE</b>	60hp (45kW)	2780kg (6129lbs)	540rpm	2.66m (8' 9")	4.85m (15' 11")	40mm fixed	27	0mm - 110mm (0" - 4 11/16")
<b>SPEARHEAD ROLLICUT 600 ECOLINE</b>	70hp (53kW)	3080kg (6790lbs)	540rpm	2.66m (8' 9")	5.99m (19' 8")	40mm fixed	33	0mm - 110mm (0" - 4 11/16")



TRACTOR POWER

from 60hp (45kW)



CUT WIDTH

4.85 - 5.99m (15' 11" - 19' 8")

## UNIT OPTIONS

- ▶ MUDGUARDS
- ▶ ROLLER SCRAPER WIRES
- ▶ FLASHING BEACON
- ▶ HYDRAULIC WING SAFETY LOCK
- ▶ LOW/HIGH HITCH DRAWBAR

## WHEELS / TYRES



TURF

ROAD\*

## TOWING EYES



STANDARD

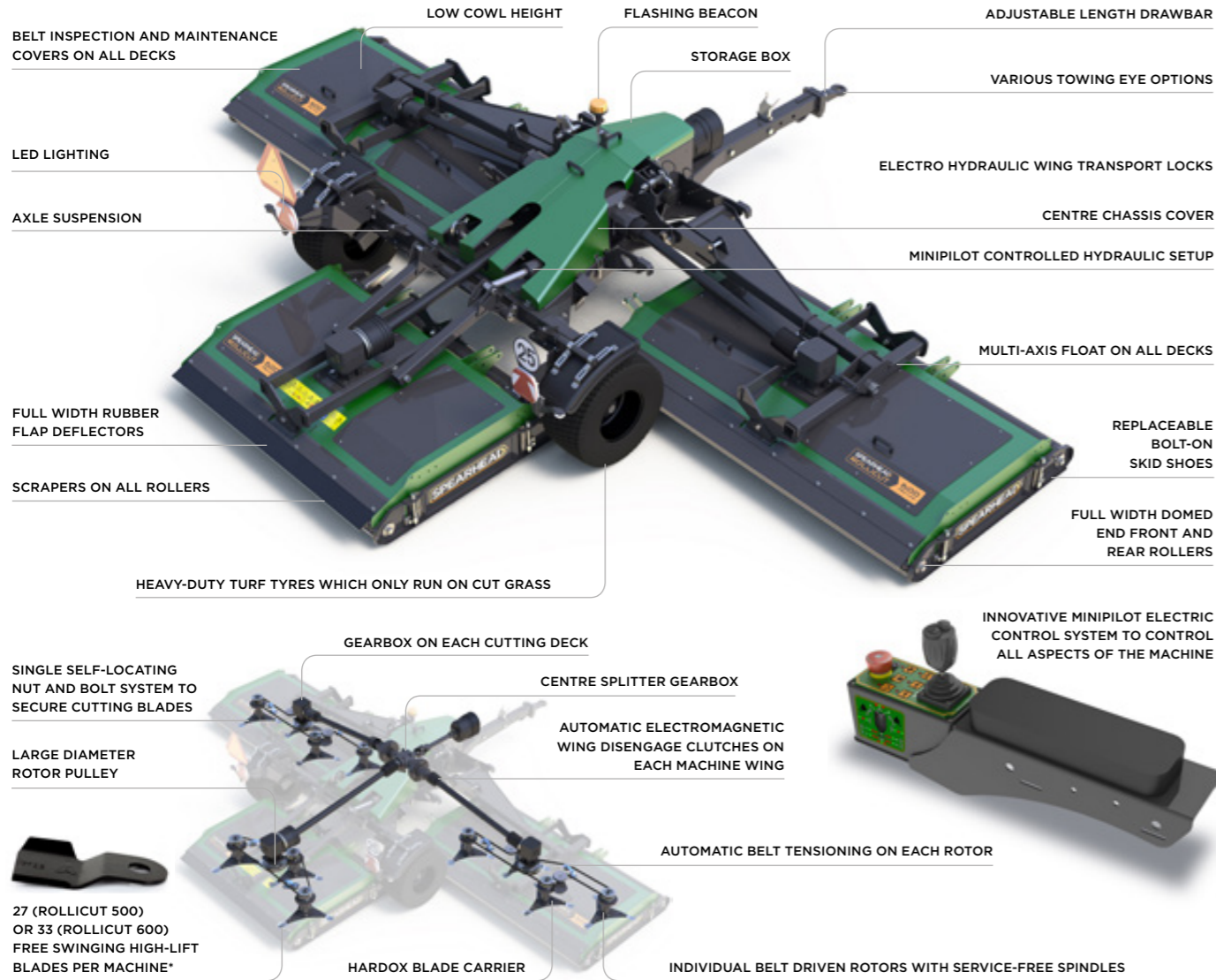
SWIVEL

K80

\*FOAM FILLED OPTION AVAILABLE



# ROLLICUT PROLINE SERIES



\*Rollicut 500 machines feature three cutting rotors on all decks Rollicut 600 machines feature four cutting rotors on wing decks and three cutting rotors on the rear deck.

The Spearhead Rollicut Proline is a professional machine designed for high output amenity operators covering parkland, golf course, orchard and topping applications.

The Rollicut Proline features multi-axis deck articulation to ensure a level cut and reduced scalping in its either 5.0 or 6.0 metre cutting widths options. Each cutting rotor is powered by a centre mounted gearbox found on each deck, connected via a belt drive transmission with automatic tensioners to ensure reliable power to each of its lifting blades.

Electric wing clutches and position sensors allow independent and automatic stop and restart of each rotor when a deck is raised to clear obstacles. Electric wing locks safely secure and release the machine wings for transport without the operator needing to leave the comfort of the cab.

Reduced stoppages, maintenance and increased user comfort are the key benefits brought with this higher specification model with Spearhead's Minipilot control system the focal point of managing these additional features.



**HP**  
TRACTOR POWER  
from 60hp (45kW)

**CUT WIDTH**  
4.85 - 5.99m (15'11" - 19'8")

	TRACTOR HP	MACHINE WEIGHT	PTO SPEED	TRANSPORT WIDTH	CUTTING WIDTH	STANDARD HITCH	NUMBER OF BLADES	CUTTING HEIGHT
<b>SPEARHEAD ROLLICUT 500 PROLINE</b>	60hp (45kW)	2860kg (6305lbs)	540rpm	2.66m (8' 9")	4.85m (15' 11")	40mm fixed	27	0mm - 110mm (0" - 4 11/16")
<b>SPEARHEAD ROLLICUT 600 PROLINE</b>	70hp (53kW)	3160kg (6967lbs)	540rpm	2.66m (8' 9")	5.99m (19' 8")	40mm fixed	33	0mm - 110mm (0" - 4 11/16")

**UNIT OPTIONS**

**WHEELS / TYRES**

TURF ROAD\*

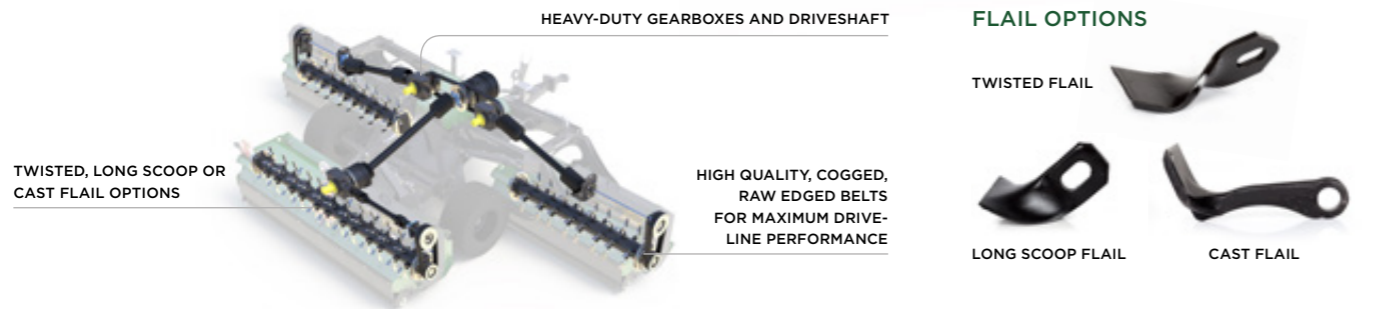
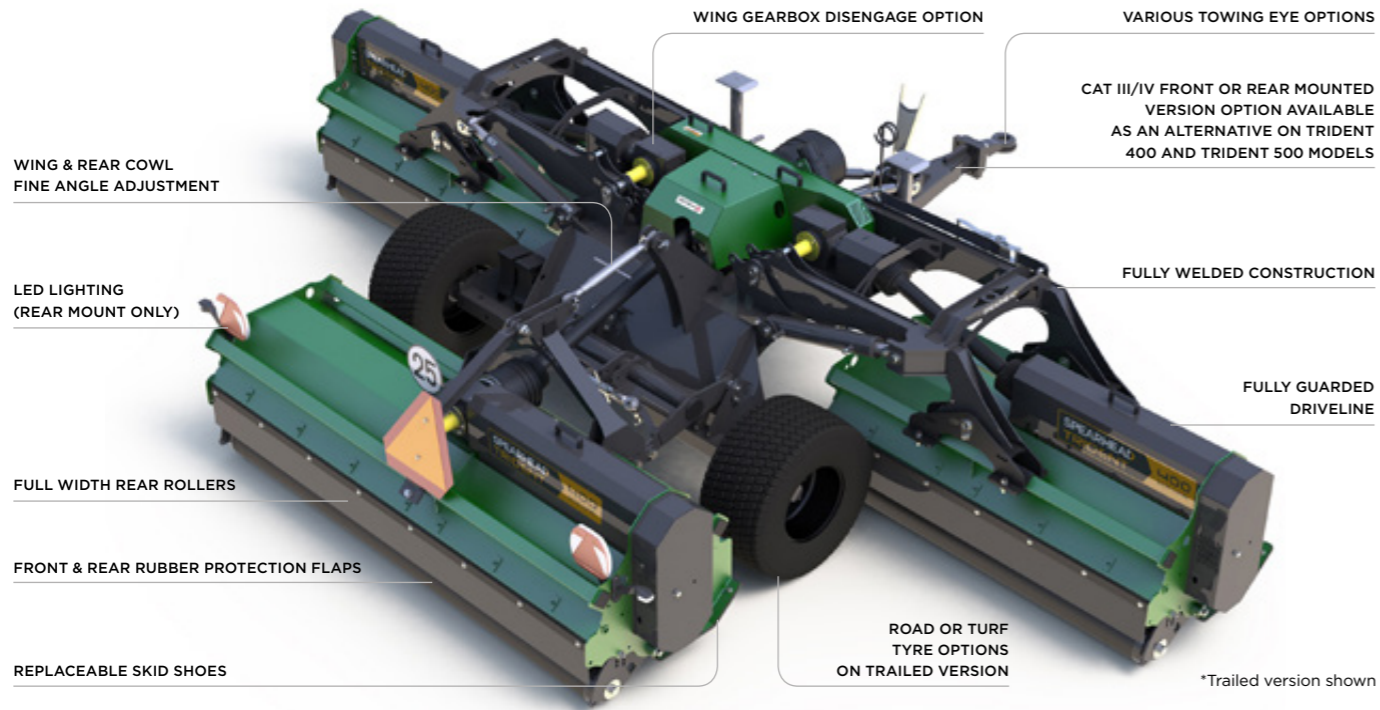
**TOWING EYES**

STANDARD SWIVEL K80

\*FOAM FILLED OPTION AVAILABLE



# TRIDENT ECOLINE SERIES



The Trident Ecoline is designed for light-duty amenity mowing and gives a high-quality finish in material up to 20mm. It excels in parkland, golf course, orchard and topping applications and is the perfect choice for compact tractors.

This versatile machine features fine cut flails on constant suction double spiral rotors. Belt drive gives reliable power transmission and 140mm full width adjustable rear rollers with rubber flaps will ensure a quality cut and well

distributed finish. Operator flexibility is brought with options such as gearbox wing disengage and various tyre options on trailed versions.

Trailed Trident Ecoline machines are available in either 4.0 or 5.0 metre cutting widths and the mounted version is available in 4.0, 5.0 and 6.0 metre cutting widths, being able to be front or rear mounted.

	TRACTOR HP	MINIMUM WEIGHT GUIDE	MACHINE WEIGHT	PTO SPEED	TRANSPORT WIDTH	CUTTING WIDTH	STANDARD FITTING OPTIONS	FLAIL TYPE	NUMBER OF FLAILS	CUTTING HEIGHT
<b>SPEARHEAD TRIDENT 400 ECOLINE</b>	80hp (60kW)	6000kg (13228lbs)	2360kg (5401lbs) -trailed TBC mounted	540 / 1000rpm	2.76m (9')	4.70m (15' 5")	Trailed -40mm fixed towing Mounted - Cat III/IV front or rear linkage mounted	Twisted, long scoop or cast flail	156	25mm - 150mm (1" - 6")
<b>SPEARHEAD TRIDENT 500 ECOLINE</b>	90hp (68kW)	6500kg (14330lbs)	2437kg (5600lbs) -trailed TBC mounted	540 / 1000rpm	2.76m (9')	5.05m (16' 7")	Trailed -40mm fixed towing Mounted - Cat III/IV front or rear linkage mounted	Twisted, long scoop or cast flail	180	25mm - 150mm (1" - 6")
<b>SPEARHEAD TRIDENT 600 ECOLINE</b>	120hp (90kW)	7500kg (16535lbs)	TBC	540 / 1000rpm	2.81m (9' 3")	6.16m (20' 3")	Mounted - Cat III/IV front or rear linkage mounted	Twisted, long scoop or cast flail	210	25mm - 150mm (1" - 6")



**HP**  
TRACTOR POWER  
from 80hp (60kW)

**↔**  
CUT WIDTH  
4.70 - 6.16m (15'5" - 20'3")

## UNIT OPTIONS

- ▶ HYDRAULIC ROLLERS
- ▶ ROLLER SCRAPER WIRES
- ▶ FLASHING BEACON
- ▶ HYDRAULIC WING SAFETY LOCKS
- ▶ DRAWBAR EXTENSION (TRAILED VERSION ONLY)
- ▶ LOW/HIGH HITCH DRAWBAR (TRAILED VERSION ONLY)
- ▶ CATEGORY 3/4 LINKAGE (MOUNTED VERSION ONLY)
- ▶ MOUNTING OPTIONS:  
FRONT  
REAR (INCLUDING A REVERSE DRIVE OPTION)  
FRONT:REAR STAGGERED

## WHEELS /TYRES

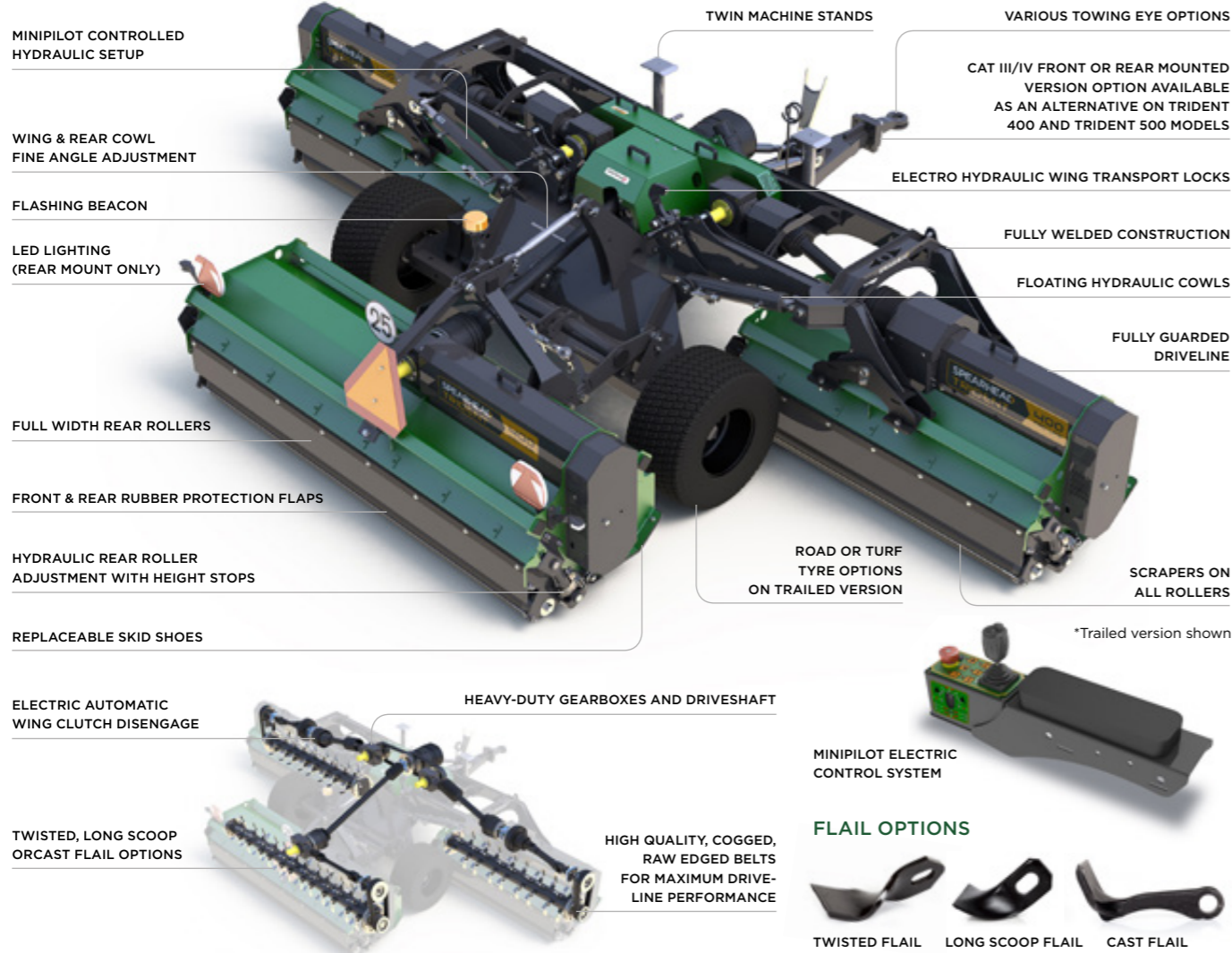


## TOWING EYES





# TRIDENT PROLINE SERIES



**HP**  
TRACTOR POWER  
from 80hp (60kW)

**CUT WIDTH**  
4.70 - 6.16m (15'5" - 20'3")

With more features fitted as standard, the Spearhead Trident Proline is a professional machine designed for high output amenity operators. Available in cutting widths of either a 4.0 or 6.0 metre in the trailed version and in 4.0 and 5.0 metre versions in the mounted version, being able to be front or rear mounted.

Electric wing clutches with position sensors allow the operator to independently and automatically stop and restart each of the rotors when the particular deck is required to be raised to clear obstacles. Electric wing locks safely secure and release the machine wings from transport without the operator needing to leave the comfort of the cab.

The hydraulic rear roller can be quickly raised and lowered through the Minipilot control system with 20 different cutting height options through easy to set ram spacers.

Features such as flashing beacons, mudguards and roller cleaning scraper wires add together to create a machine which improves operations and the produces a greater finish.



	TRACTOR HP	MINIMUM WEIGHT GUIDE	MACHINE WEIGHT	PTO SPEED	TRANSPORT WIDTH	CUTTING WIDTH	STANDARD FITTING OPTIONS	FLAIL TYPE	NUMBER OF FLAILS	CUTTING HEIGHT
<b>SPEARHEAD TRIDENT 400 PROLINE</b>	80hp (60kW)	6000kg (13228lbs)	2450kg (5401lbs) -trailed TBC mounted	540 / 1000rpm	2.76m (9')	4.70m (15' 5")	Trailed - 40mm fixed towing Mounted - Cat III/IV front or rear linkage mounted	Twisted, long scoop or cast flail	156	25mm - 150mm (1" - 6")
<b>SPEARHEAD TRIDENT 500 PROLINE</b>	90hp (68kW)	6500kg (14330lbs)	2540kg (5600lbs) -trailed TBC mounted	540 / 1000rpm	2.76m (9')	5.05m (16' 7")	Trailed - 40mm fixed towing Mounted - Cat III/IV front or rear linkage mounted	Twisted, long scoop or cast flail	180	25mm - 150mm (1" - 6")
<b>SPEARHEAD TRIDENT 600 PROLINE</b>	120hp (90kW)	7500kg (16535lbs)	TBC	540 / 1000rpm	2.81m (9' 3")	6.16m (20' 3")	Mounted - Cat III/IV front or rear linkage mounted	Twisted, long scoop or cast flail	210	25mm - 150mm (1" - 6")

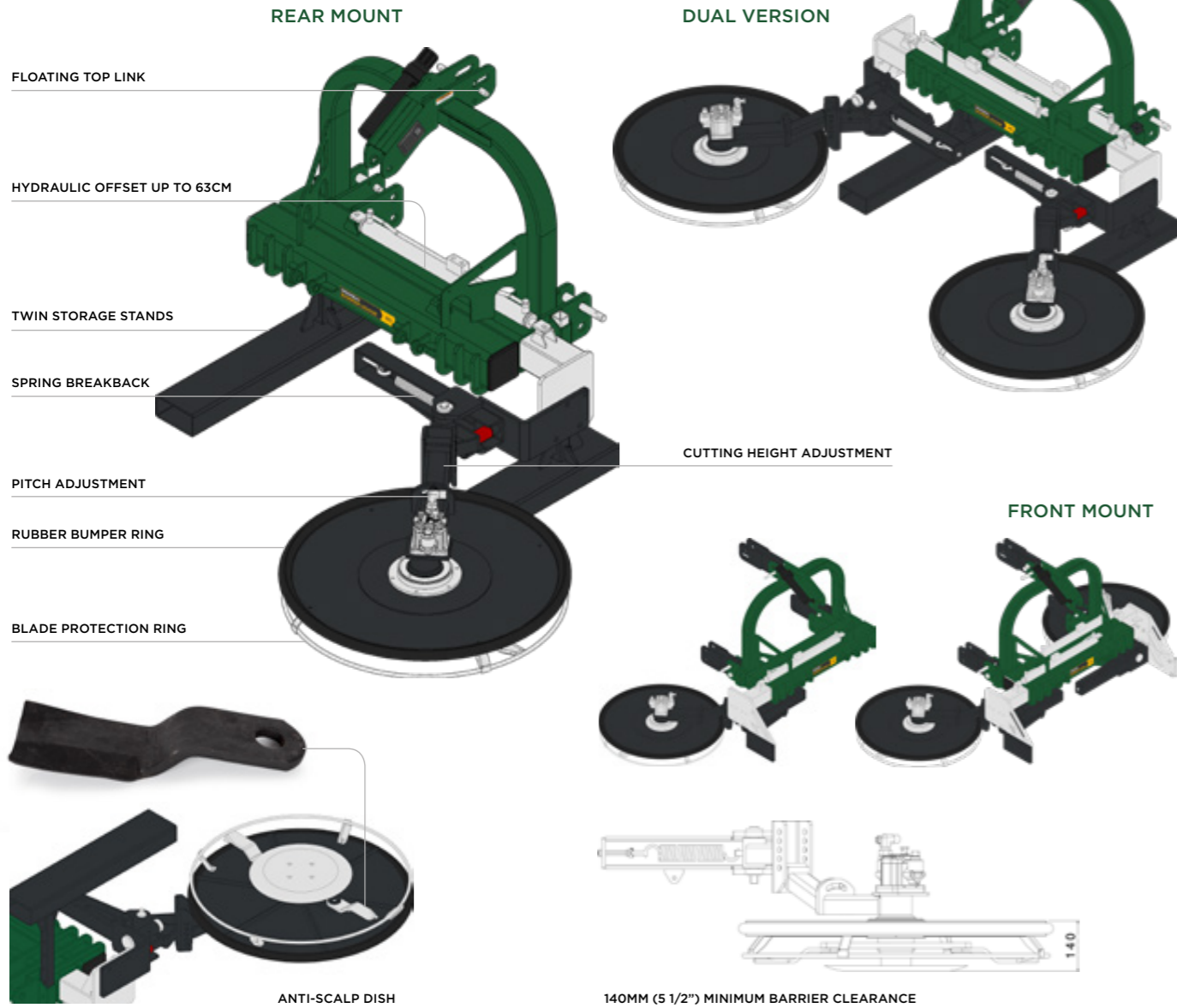
### UNIT OPTIONS

- ▶ **DRAWBAR EXTENSION** (TRAILED VERSION ONLY)
- ▶ **LOW/HIGH HITCH DRAWBAR** (TRAILED VERSION ONLY)
- ▶ **CATEGORY 3/4 LINKAGE** (MOUNTED VERSION ONLY)
- ▶ **MOUNTING OPTIONS:**  
FRONT  
REAR (INCLUDING A REVERSE DRIVE OPTION)  
FRONT:REAR STAGGERED





# BARRIER MOWER SERIES



The Spearhead Barrier Mower is the perfect tool for airfield, agriculture, amenity and highway applications for cutting under roadside crash barriers, fence posts, fence wires and round the base of trees.

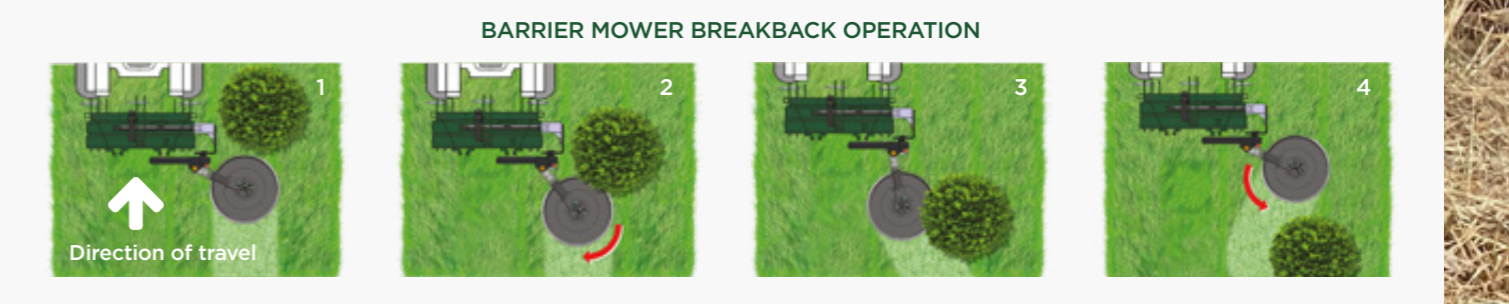
Available in front mount or rear mount guises and left-hand, right-hand or even dual build configurations the Barrier Mower gives an 80cm cutting diameter provided by twin

lifting blades and an accompanying anti-scalp dish to leave a consistent finish.

The machine features an automatic spring breakback arm system which allows the machine to cut around the smallest of items. The machine also features hydraulic sideshift to deal with any working environment all controlled from the comfort of the cab of the tractor.

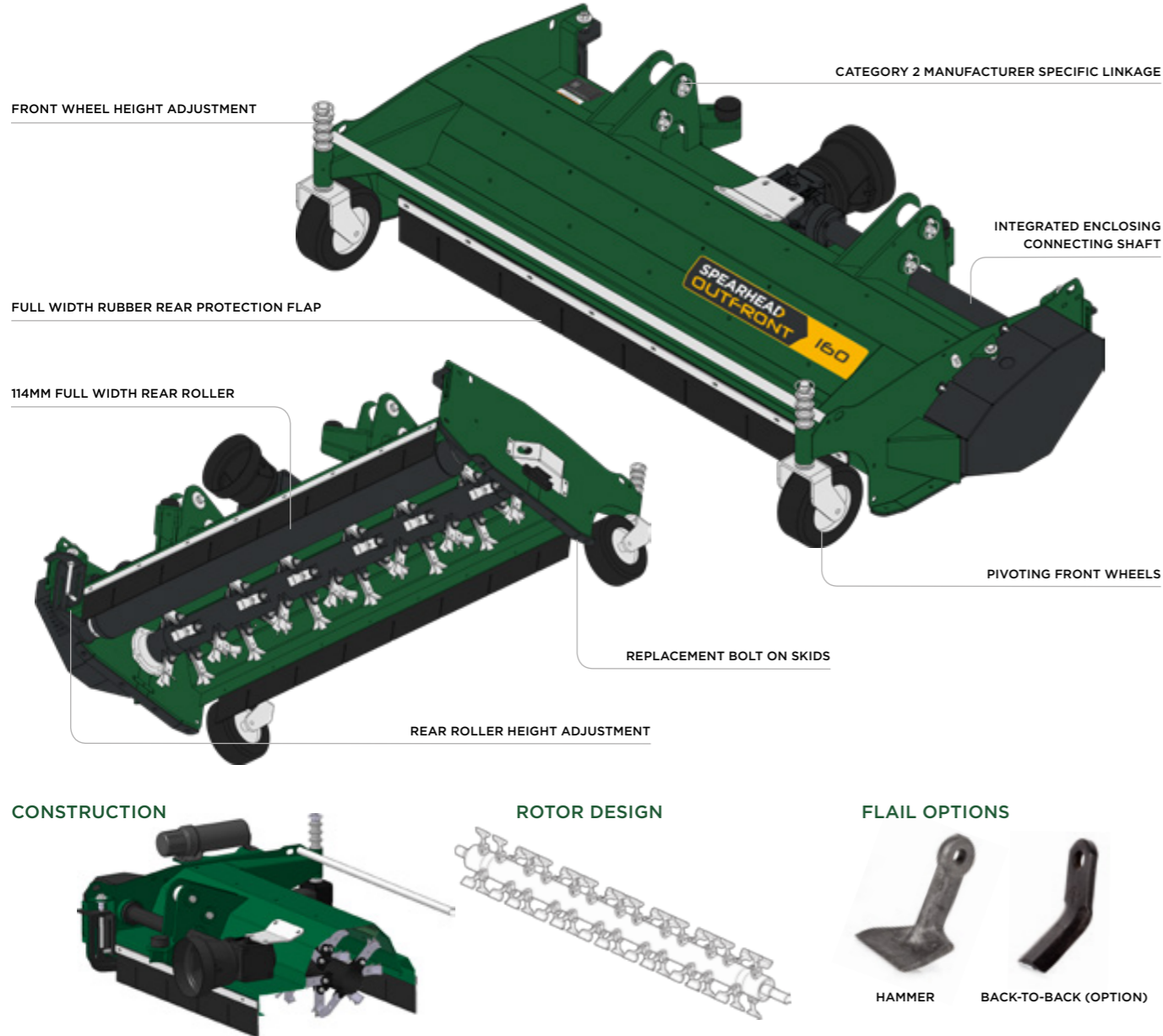


	MINIMUM WEIGHT GUIDE	MACHINE WEIGHT	CUTTING DIAMETER	OFFSET DISTANCE	MINIMUM MACHINE WIDTH	HITCH	FLOW RATE	TRACTOR SPOOL REQUIREMENT	NUMBER OF BLADES	CUTTING HEIGHT
<b>SPEARHEAD BARRIER MOWER SINGLE</b>	1500kg (3307lbs)	From 310kg (683lbs)	800mm (2' 7")	630mm (hydraulic)	2.70m (8' 11")	Cat 2 front or rear mount	35 l/min	2	2	25mm (1")
<b>SPEARHEAD BARRIER MOWER DUAL</b>	1500kg (3307lbs)	From 415kg (915lbs)	800mm (2' 7")	630mm x2 (hydraulic)	1.35m (4' 6")	Cat 2 front or rear mount	70 l/min	2	2	25mm (1")





# OUTFRONT SERIES



With its compact design and fitting options to fit a wide range of front mower manufacturers with two-point linkage, Spearhead's Outfront flail mower is the perfect machine for councils and contractors.

This compact machine creates a consistent quality finish in material up to 30mm in diameter thanks to its spiral rotor design, available in cutting widths of either 1.4 or 1.6m, fitted

with standard fitment heavy-duty hammer flails. Finish is further enhanced thanks to a 4 1/2" rear roller.

The machine features a three belt drive transmission, easy to adjust height setting and front guide wheels — all combined to give all day long operating reliability and ease of use to the operator.

	TRACTOR HP	MINIMUM WEIGHT GUIDE	MACHINE WEIGHT	CUTTING WIDTH	PTO SPEED	HITCH	FLAIL TYPE	NUMBER OF FLAILS	CUTTING HEIGHT
<b>SPEARHEAD OUTFRONT 140</b>	15 - 45hp (12 - 34kW)	800kg (1764lbs)	210kg (463lbs)	1.40m (4' 7")	2000rpm	Front mount only	Heavy-duty hammer flail	44	20mm - 100mm (13/16" - 3 15/16")
<b>SPEARHEAD OUTFRONT 160</b>	15 - 45hp (12 - 34kW)	800kg (1764lbs)	250kg (551lbs)	1.60m (5' 3")	2000rpm	Front mount only	Heavy-duty hammer flail	50	20mm - 100mm (13/16" - 3 15/16")



TRACTOR POWER  
From 15hp (12kW)

CUT WIDTH  
1.40 - 1.60m (4' 7" - 5' 3")



## ROLLICUT INLINE SERIES

STANDARD SPECIFICATION	ROLLICUT 170	ROLLICUT 230	ROLLICUT 290
<b>FEATURES</b>			
Machine weight*	590kg (1301lbs)	716kg (1579lbs)	860kg (1896lbs)
Minimum weight guide	1500kg (3307lbs)	2000kg (4410lbs)	2500kg (5512bs)
Hitch	Cat 1 with floating clevis top link	Cat 1 with floating clevis top link	Cat 1 with floating clevis top link
Hitch position	Rear mount only	Rear mount only	Rear mount only
Cutting width	1.74m (5' 8")	2.30m (7' 6")	2.92m (9' 7")
Overall width	1.86m (6' 2")	2.42m (7' 11")	3.02m (9' 11")
Overall length	1.40m (3' 11")	1.40m (3' 11")	1.40m (3' 11")
Cowl height**	490mm (1' 8")	490mm (1' 8")	490mm (1' 8")
Cutting height	0mm - 110mm (0" - 4 5/16")	0mm - 110mm (0" - 4 5/16")	0mm - 110mm (0" - 4 5/16")
Cutting capacity	20mm (13/16")	20mm (13/16")	20mm (13/16")
Recommended tractor HP	35hp (27kW)	45hp (34kW)	55hp (41kW)
Power take-off speed	540rpm	540rpm	540rpm
<b>DRIVELINE</b>			
Gearbox (x1)	Cast iron housing	Cast iron housing	Cast iron housing
Input shaft	1 3/8" Z6 and 35mm output shaft	1 3/8" Z6 and 35mm output shaft	1 3/8" Z6 and 35mm output shaft
Gearbox lubricant	EP80-90W or GL-4 / GL-5 oil	EP80-90W or GL-4 / GL-5 oil	EP80-90W or GL-4 / GL-5 oil
Gearbox oil capacity (x1)	1.3 litres (2.3 pints)	1.3 litres (2.3 pints)	1.3 litres (2.3 pints)
Belt quantity	2	2	2
<b>CONSTRUCTION</b>			
Cowl construction	All welded construction	All welded construction	All welded construction
Skid construction	Replaceable bolt-on skid	Replaceable bolt-on skid	Replaceable bolt-on skid
<b>FLAIL, ROTOR AND ROLLER</b>			
Type	Fine cut, high-lift	Fine cut, high-lift	Fine cut, high-lift
Quantity	9	12	15
Blade tip speed	87 m/s (17126 fpm)	87 m/s (17126 fpm)	87 m/s (17126 fpm)
Roller diameter (x2) (front+rear)	168mm (6 1/2")	168mm (6 1/2")	168mm (6 1/2")
Roller adjustment	Manual	Manual	Manual

\*Weights may vary dependent on machine specification

18 \*\*Top of deck to floor

## ROLLICUT TRIPLE SERIES

STANDARD SPECIFICATION	ROLLICUT 500 ECOLINE	ROLLICUT 500 PROLINE	ROLLICUT 600 ECOLINE	ROLLICUT 600 PROLINE
<b>FEATURES</b>				
Machine weight*	2780kg (6129lbs)	2860kg (6305lbs)	3080kg (6790lbs)	3160kg (6967lbs)
Hitch (standard)	40mm fixed	40mm fixed	40mm fixed	40mm fixed
Hitch position	Rear mount only	Rear mount only	Rear mount only	Rear mount only
Cutting width	4.85m (15' 11")	4.85m (15' 11")	5.99m (19' 8")	5.99m (19' 8")
Overall width	4.97m (16' 4")	4.97m (16' 4")	6.12m (20' 1")	6.12m (20' 1")
Overall length	4.76m (15' 8")	4.76m (15' 8")	4.76m (15' 8")	4.76m (15' 8")
Transport width	2.66m (8' 9")	2.66m (8' 9")	2.66m (8' 9")	2.66m (8' 9")
Cowl height**	490mm (1' 8")	490mm (1' 8")	490mm (1' 8")	490mm (1' 8")
Cutting height	0mm - 110mm (0" - 4 5/16")	0mm - 110mm (0" - 4 5/16")	0mm - 110mm (0" - 4 5/16")	0mm - 110mm (0" - 4 5/16")
Cutting capacity	20mm (13/16")	20mm (13/16")	20mm (13/16")	20mm (13/16")
Recommended tractor HP	60hp (45kW)	60hp (45kW)	70hp (53kW)	70hp (53kW)
Power take-off speed	540rpm	540rpm	540rpm	540rpm
<b>DRIVELINE</b>				
Input shaft	1 3/8" Z6 and 35mm output shaft	1 3/8" Z6 and 35mm output shaft	1 3/8" Z6 and 35mm output shaft	1 3/8" Z6 and 35mm output shaft
Driveline engagement	Fixed mechanical	Fixed centre body with electric disengage wing bodies	Fixed mechanical	Fixed centre body with electric disengage wing bodies
Gearboxes (x3)	Cast iron housing	Cast iron housing	Cast iron housing	Cast iron housing
Gearbox lubricant	EP80-90W or GL-4 / GL-5 oil	EP80-90W or GL-4 / GL-5 oil	EP80-90W or GL-4 / GL-5 oil	EP80-90W or GL-4 / GL-5 oil
Gearbox oil capacity (x1)	1.3 litres (2.3 pints)	1.3 litres (2.3 pints)	1.3 litres (2.3 pints)	1.3 litres (2.3 pints)
Belt quantity	6 (2 per deck)	6 (2 per deck)	6 (2 per deck)	6 (2 per deck)
<b>CONSTRUCTION</b>				
Cowl construction	All welded construction	All welded construction	All welded construction	All welded construction
Skid construction	Replaceable bolt-on skid	Replaceable bolt-on skid	Replaceable bolt-on skid	Replaceable bolt-on skid
<b>BLADE, ROTORS AND ROLLERS</b>				
Type	Fine cut, high-lift	Fine cut, high-lift	Fine cut, high-lift	Fine cut, high-lift
Quantity	27	27	33	33
Blade tip speed	87 m/s (17126 fpm)	87 m/s (17126 fpm)	87 m/s (17126 fpm)	87 m/s (17126 fpm)
Roller diameter (x2) (front+rear)	168mm (6 1/2")	168mm (6 1/2")	168mm (6 1/2")	168mm (6 1/2")
Roller adjustment	Manual	Manual	Manual	Manual

\*Weights may vary dependent on machine specification

19 \*\*Top of deck to floor



## TRIDENT SERIES

STANDARD SPECIFICATION	TRIDENT 400 ECOLINE	TRIDENT 400 PROLINE	TRIDENT 500 ECOLINE	TRIDENT 500 PROLINE	TRIDENT 600 ECOLINE	TRIDENT 600 PROLINE
<b>FEATURES</b>						
Machine weight*	2360kg (5203lbs) - trailed TBC - mounted	2450kg (5401lbs) - trailed TBC - mounted	2437kg (5372lbs) - trailed TBC - mounted	2540kg (5600lbs) - trailed TBC - mounted	2360kg (5203lbs) - trailed TBC - mounted	2360kg (5203lbs) - trailed TBC - mounted
Minimum weight guide	6000kg (13228lbs)	6000kg (13228lbs)	6500kg (14330lbs)	6500kg (14330lbs)	7500kg (16535lbs)	7500kg (16535lbs)
Hitch	Trailed: 40mm fixed towing eye Mounted: Cat 2 with floating clevis top link	Trailed: 40mm fixed towing eye Mounted: Cat 2 with floating clevis top link	Trailed: 40mm fixed towing eye Mounted: Cat 2 with floating clevis top link	Trailed: 40mm fixed towing eye Mounted: Cat 2 with floating clevis top link	Cat 2 with floating clevis top link	Cat 2 with floating clevis top link
Hitch position	Trailed: Rear mount only Mounted: Front & rear mount	Trailed: Rear mount only Mounted: Front & rear mount	Trailed: Rear mount only Mounted: Front & rear mount	Trailed: Rear mount only Mounted: Front & rear mount	Front and rear mount	Front and rear mount
Cutting width	4.70m (15' 5")	4.70m (15' 5")	5.05m (16' 7")	5.05m (16' 7")	6.16m (20' 3")	6.16m (20' 3")
Overall width	5.12m (16' 10")	5.12m (16' 10")	5.52m (18' 2")	5.52m (18' 2")	6.56m (21' 7")	6.56m (21' 7")
Overall length	Trailed: 3.79m (12' 5") Mounted: 2.37m (7' 10")	Trailed: 3.79m (12' 5") Mounted: 2.37m (7' 10")	Trailed: 3.79m (12' 5") Mounted: 2.37m (7' 10")	Trailed: 3.79m (12' 5") Mounted: 2.37m (7' 10")	2.37m (7' 10")	2.37m (7' 10")
Transport width	2.76m (9')	2.76m (9')	2.76m (9')	2.76m (9')	2.31m (9' 3")	2.31m (9' 3")
Cowl height**	0.85m (2' 10")	0.85m (2' 10")	0.85m (2' 10")	0.85m (2' 10")	0.85m (2' 10")	0.85m (2' 10")
Cutting height	30mm - 220mm (1 3/16" - 8 5/8")	30mm - 220mm (1 3/16" - 8 5/8")	30mm - 220mm (1 3/16" - 8 5/8")	30mm - 220mm (1 3/16" - 8 5/8")	30mm - 220mm (1 3/16" - 8 5/8")	30mm - 220mm (1 3/16" - 8 5/8")
Cutting capacity	20mm (25/32")	20mm (25/32")	20mm (25/32")	20mm (25/32")	20mm (25/32")	20mm (25/32")
Wing working angles	45° up / 15° down	45° up / 15° down	45° up / 15° down	45° up / 15° down	45° up / 15° down	45° up / 15° down
Recommended tractor HP	80hp (60kW)	80hp (60kW)	90hp (67kW)	90hp (67kW)	120hp (90kW)	120hp (90kW)
Power take-off speed	540 / 1000rpm	540 / 1000rpm	540 / 1000rpm	540 / 1000rpm	540 / 1000rpm	540 / 1000rpm
Tyres	10.0/8 x 12 road tyres or 26 x 12 turf tyres (trailed version only)	10.0/8 x 12 road tyres or 26 x 12 turf tyres (trailed version only)	10.0/8 x 12 road tyres or 26 x 12 turf tyres (trailed version only)	10.0/8 x 12 road tyres or 26 x 12 turf tyres (trailed version only)	N/A	N/A
<b>DRIVELINE</b>						
Input shaft	1 3/8" Z6	1 3/8" Z6	1 3/8" Z6	1 3/8" Z6	1 3/8" Z6	1 3/8" Z6
Driveline engagement	Fixed mechanical	Fixed centre body with electric disengage wing bodies	Fixed mechanical	Fixed centre body with electric disengage wing bodies	Fixed mechanical	Fixed centre body with electric disengage wing bodies
Gearbox (x1)	Cast iron housing	Cast iron housing	Cast iron housing	Cast iron housing	Cast iron housing	Cast iron housing
Gearbox lubricant	EP80-90W or GL-4 / GL-5 oil	EP80-90W or GL-4 / GL-5 oil	EP80-90W or GL-4 / GL-5 oil	EP80-90W or GL-4 / GL-5 oil	EP80-90W or GL-4 / GL-5 oil	EP80-90W or GL-4 / GL-5 oil
Gearbox oil capacity (x1)	1.0 litres (1.8 pints)	1.0 litres (1.8 pints)	1.0 litres (1.8 pints)	1.0 litres (1.8 pints)	1.0 litres (1.8 pints)	1.0 litres (1.8 pints)
Belt quantity	15 (3 per cowl, 6 on centre chassis)	15 (3 per cowl, 6 on centre chassis)	15 (3 per cowl, 6 on centre chassis)	15 (3 per cowl, 6 on centre chassis)	15 (3 per cowl, 6 on centre chassis)	15 (3 per cowl, 6 on centre chassis)
<b>CONSTRUCTION</b>						
Cowl construction	All welded construction	All welded construction	All welded construction	All welded construction	All welded construction	All welded construction
Skid construction	Replaceable bolt-on skid	Replaceable bolt-on skid	Replaceable bolt-on skid	Replaceable bolt-on skid	Replaceable bolt-on skid	Replaceable bolt-on skid
<b>FLAIL, ROTOR AND ROLLER</b>						
Type (standard)	Twisted	Twisted	Twisted	Twisted	Twisted	Twisted
Quantity	156	156	180	180	210	210
Flail tip speed	49 m/s (9645 fpm)	49 m/s (9645 fpm)	49 m/s (9645 fpm)	49 m/s (9645 fpm)	49 m/s (9645 fpm)	49 m/s (9645 fpm)
Rotor diameter (x3)	400mm (15 3/4")	400mm (15 3/4")	400mm (15 3/4")	400mm (15 3/4")	400mm (15 3/4")	400mm (15 3/4")
Roller diameter (x3)	168mm (6 10/16")	168mm (6 10/16")	168mm (6 10/16")	168mm (6 10/16")	168mm (6 10/16")	168mm (6 10/16")
Roller adjustment	Manual	Hydraulic cab control	Manual	Hydraulic cab control	Manual	Hydraulic cab control

\*Weights may vary dependent on machine specification

20 \*\*Top of cowl to floor

## BARRIER MOWER SERIES

STANDARD SPECIFICATION	BARRIER MOWER SINGLE	BARRIER MOWER DUAL
<b>FEATURES</b>		
Machine weight*	Front mount - 353kg (778lbs) Rear mount - 310kg (683lbs)	Front mount - 458kg (1010lbs) Rear mount - 415kg (915lbs)
Minimum weight guide	1500kg (3307lbs)	1500kg (3307lbs)
Hitch	Cat 2 with floating clevis top link	Cat 2 with floating clevis top link
Hitch position	Front and rear mount	Front and rear mount
Cutting width	800mm (2' 7")	800mm (2' 7") x2
Minimum working width	1.35m (4' 6")	2.70m (8' 10")
Maximum working width	1.95m (6' 5")	3.90m (12' 9")
Minimum working length	1.61m (5' 4")	1.61m (5' 4")
Maximum working length	1.75m (5' 9")	1.75m (5' 9")
Maximum offset distance (hydraulic)	630mm (2' 1")	6.30m (2' 1") x2
Working height	1.15m (3' 9")	1.15m (3' 9")
Transport width	1.49m (4' 11")	1.84m (6')
Transport height	1.28m (4' 3")	1.28m (4' 3")
Minimum cutting height	25mm (1")	25mm (1")
Minimum barrier clearance	140mm (5 1/2")	140mm (5 1/2")
Cutting capacity	20mm (13/16")	20mm (13/16")
Recommended tractor HP	30 - 100hp (22 - 75kW)	30 - 100hp (22 - 75kW)
<b>DRIVELINE</b>		
Hydraulic system drive	Gear	Gear
Motor construction	Aluminium	Aluminium
Flow rate	35 l/min	70 l/min
Tractor spool requirement	2	4
<b>CONSTRUCTION</b>		
Cowl construction	All welded construction	All welded construction
<b>BLADES AND ROTORS</b>		
Type (standard)	Lifting blade	Lifting blade
Quantity	2	4
Blade tip speed	70 m/s (13780 fpm)	70 m/s (13780 fpm)
Rotor diameter	800mm (2' 7")	800mm (2' 7")

\*Weights may vary dependent on machine specification

\*\*Top of deck to floor 21



## OUTFRONT SERIES

STANDARD SPECIFICATION	OUTFRONT 140	OUTFRONT 160
<b>FEATURES</b>		
Machine weight*	210kg (463lbs)	250kg (551lbs)
Minimum weight guide	800kg (1764lbs)	800kg (1764lbs)
Hitch	Specified to the prime mover	Specified to the prime mover
Hitch position	Front mount only	Front mount only
Cutting width	1.40m (4' 7")	1.60m (5' 3")
Overall width	1.60m (5' 3")	1.80m (5' 11")
Overall length	1.10m (3' 7")	1.10m (3' 7")
Cowl height**	—	—
Cutting height	20mm - 100mm (13/16" - 3 15/16")	20mm - 100mm (13/16" - 3 15/16")
Cutting capacity	30mm (1 3/16")	30mm (1 3/16")
Recommended tractor HP	14 - 45hp (12 - 34kW)	14 - 45hp (12 - 34kW)
Power take-off speed	2000rpm	2000rpm
<b>DRIVELINE</b>		
Gearbox	Cast iron housing with integrated enclosed connecting shaft	Cast iron housing with integrated enclosed connecting shaft
Input shaft	1 3/8" Z6	1 3/8" Z6
Gearbox lubricant	EP80-90W or GL-4 / GL-5 oil	EP80-90W or GL-4 / GL-5 oil
Gearbox oil capacity	0.52 litres (0.9 pints)	0.52 litres (0.9 pints)
Belt quantity	4	4
<b>CONSTRUCTION</b>		
Cowl construction	All welded construction	All welded construction
Skid construction	Replaceable bolt-on skid	Replaceable bolt-on skid
<b>FLAIL, ROTOR AND ROLLER</b>		
Type (standard)	Heavy-duty hammer flail	Heavy-duty hammer flail
Quantity	44	50
Flail tip speed	50 m/s (9842 fpm)	50 m/s (9842 fpm)
Rotor diameter	95mm (4")	95mm (4")
Roller diameter	114mm (4 1/2")	114mm (4 1/2")

\*Weights may vary dependent on machine specification

22 \*\*Top of cowl to floor



For full machine dimensions please scan the code or visit [www.spearheadmachinery.com/dimensions](http://www.spearheadmachinery.com/dimensions)



# SPEARHEAD

Station Road, Salford Priors, Evesham, Worcestershire, WR11 8SW, England  
☎ +44 (0)1789 491860 ✉ enquiries@spearheadmachinery.com f 🐦 SpearheadWorld

[spearheadmachinery.com](http://spearheadmachinery.com)



designed and built in  
**GREAT BRITAIN**



A Member of the **ALAMO GROUP**

All information in this brochure is correct at the time of printing. Spearhead Machinery Limited reserves the right to change any of the data or descriptions at any time without prior warning. All dimensions are for reference.